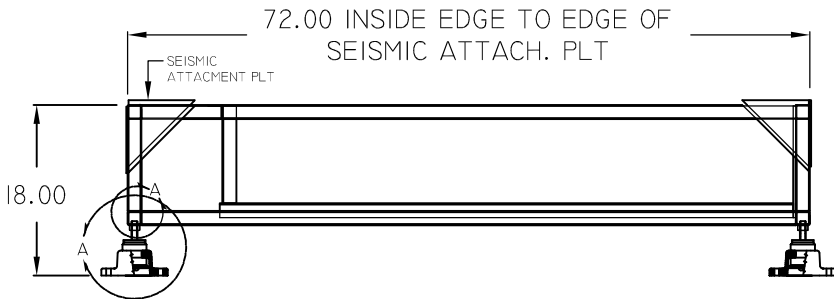
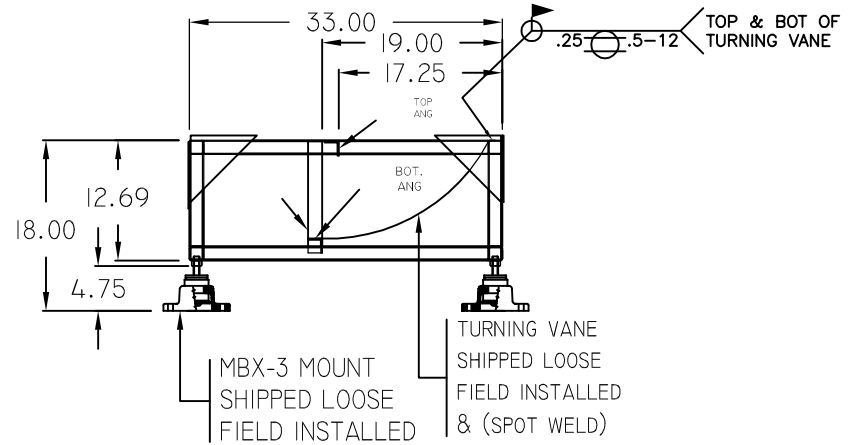
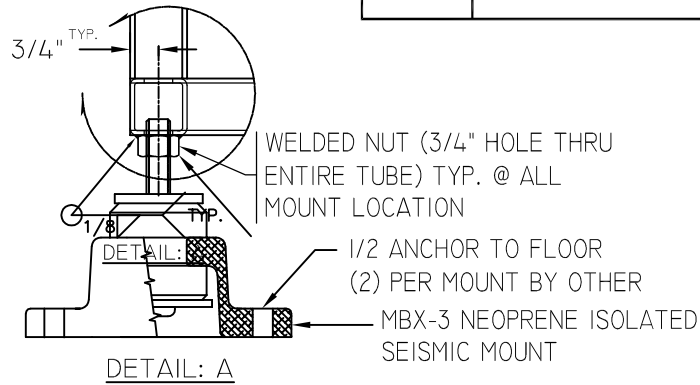
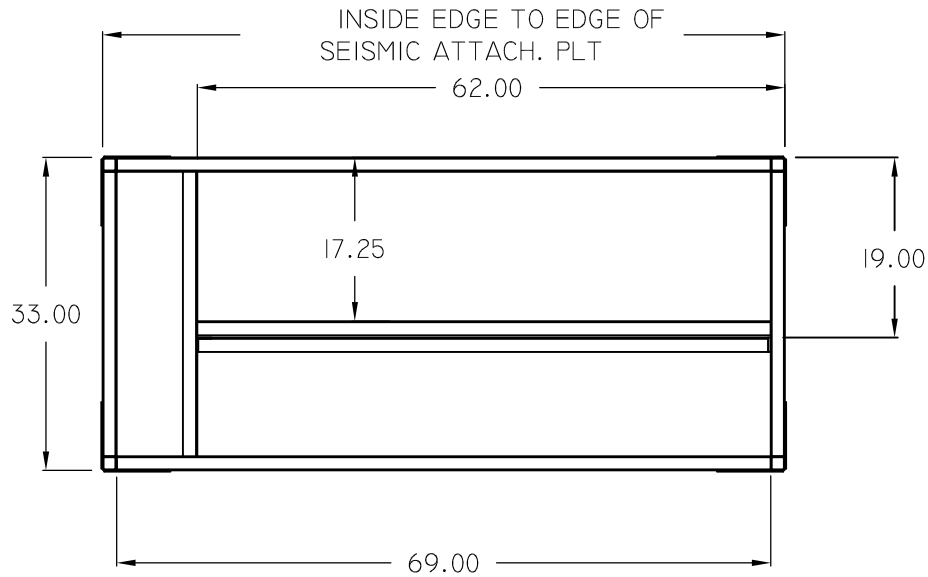


REV.	DESCRIPTION	DATE	BY



**NOTES:**

1. FLOORSTANDS HAS BEEN DESIGNED TO WITHSTAND A MAX. SEISMIC LOAD OF 1.0 G'S (UBC ZONE 4, Z=0.4).
2. ANCHORS MUST BE EMBEDDED AT LEAST 3 1/2 " INTO THE STRUCTURAL SLAB.
3. SPECIAL INSPECTION OF THE ANCHOR BOLTS IS REQUIRED FOR ALL SEISMIC SPECIFICATIONS GREATER THAN 0.5 G'S.
4. SUPPORTED UNIT MUST BE FASTEN OR WELDED TO FLOORSTAND AS REQ'D. PER CODES TO MEET SEISMIC RATING.
5. TURNING VANE IS SHIPPED LOOSE AND MAY REQUIRE SOME FIELD CUT DURING INSTALLATION
6. DIMENSION IS FROM INSIDE (EDGE TO EDGE) OF ATTACHMENT PLATES
7. B.O. = BY OTHERS (NOT BY THE VMC GROUP)
8. FRAME SHALL BE PAINTED THE VMC GROUP COLOR.
9. INSTALL PER INSTALLATION INSTRUCTION FORM 8020081

OTHER MATERIALS, COMPOUNDS, OR FINISHES WITH EQUAL OR SUPERIOR PROPERTIES MAY BE SUBSTITUTED AS THEY BECOME AVAILABLE.

**CERTIFIED FOR:**

JOB NAME: \_\_\_\_\_  
 CUSTOMER: \_\_\_\_\_  
 CUSTOMER P.O.: \_\_\_\_\_  
 SALES ORDER: \_\_\_\_\_

**MODEL FLOORSTAND ELASTOMERIC  
 ISOLATED SEISMIC FRAME WITH MBX3  
 ISOLATOR**



**THE VMC GROUP**  
 The Power of Together  
 Bloomingdale, NJ 07403  
 Houston, TX 77041

SCALE:

NONE

SHEET:



DRAWING NO.:

REVISION